



# JAS

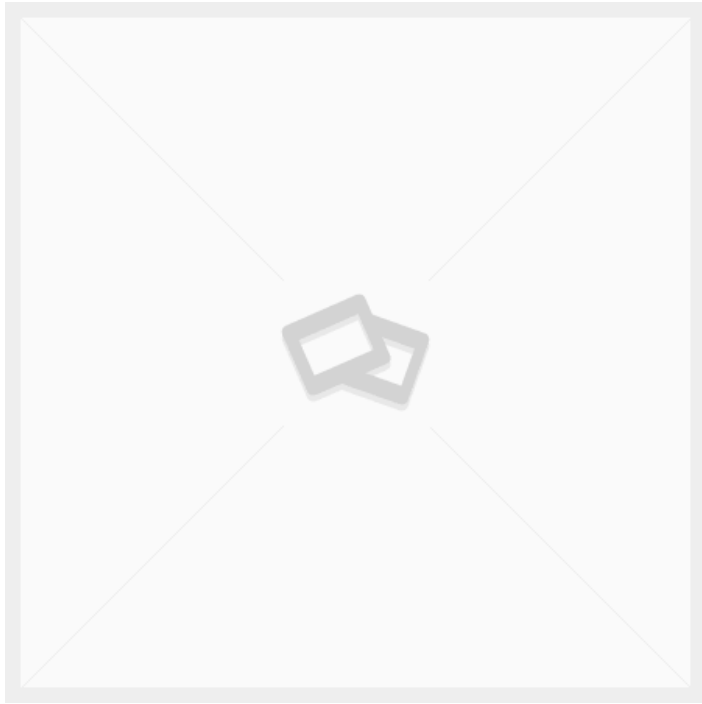
## Product Catalog 2026

JAS.dk ApS  
Lyager 9, 6933 Kibæk, (DK)

# TABLE OF CONTENTS

**Undefined-en** ..... 2

# UNDEFINED-EN

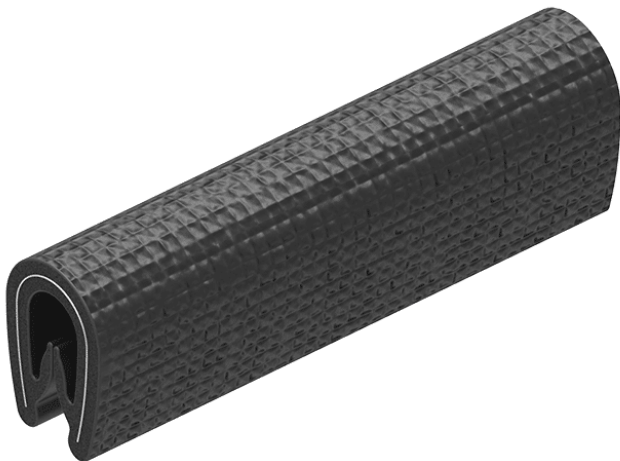


## ERG-O-LIFT 300 - TILT & CASTORS - 1800X1000 MM

[Read more](#)

**SKU:** S110449

**Price:** from 2.535,00 €



## EDGE STRIP BLACK, CLAMPING WIDTH OF 1-2MM

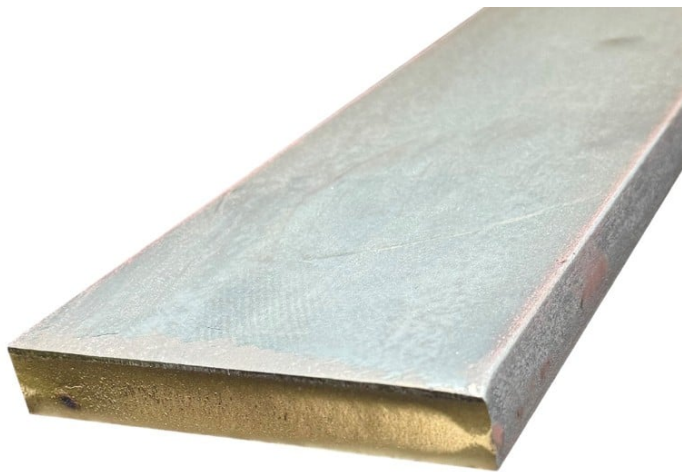
Dimensions

1 × 1 × 1 mm

[Read more](#)

**SKU:** MT101609

**Price:** from 2,77 €



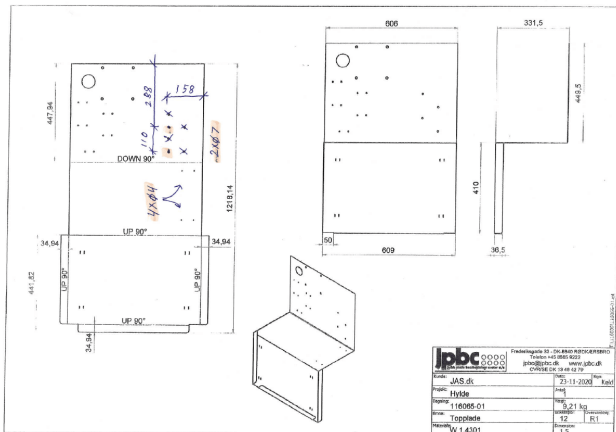
## 30X6 FLAT STEEL S275JR

Weight 1,41 kg  
Dimensions 100 × 3 × 0,6 mm

[Read more](#)

**SKU:** 347862

**Price:** from 2,50 €



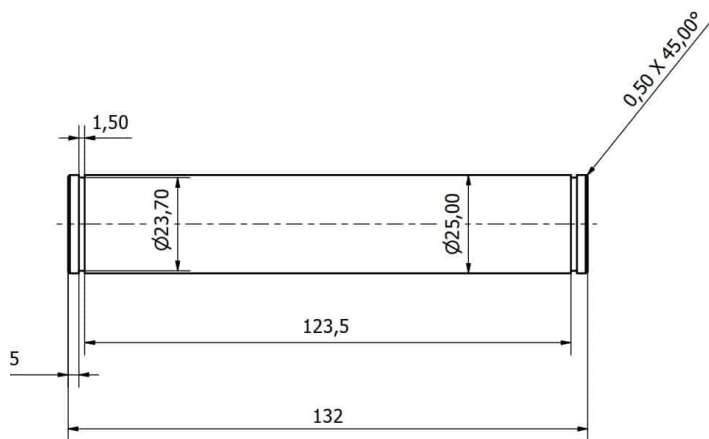
## TOP PLATE SHELF STAINLESS STEEL 1.5MM (CONSISTS OF 2 PARTS)

Dimensions 10 × 5 × 2,5 mm

[Read more](#)

**SKU:** 116065

**Price:** from 213,45 €



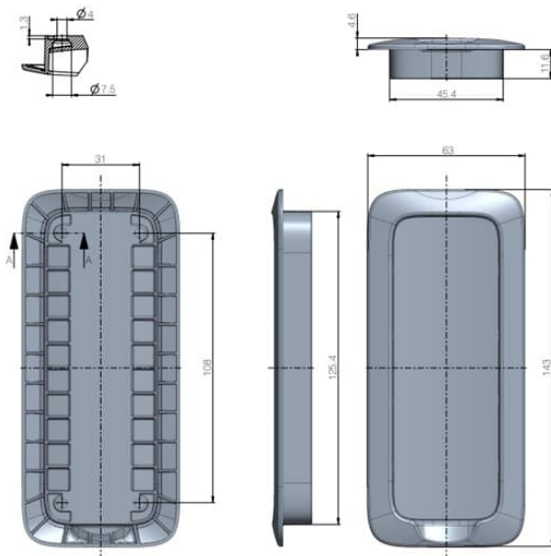
## SHAFT Ø25 X 132MM

Weight 0,3 kg  
Dimensions 2,5 × 13,2 × 2,5 mm

[Read more](#)

**SKU:** 3086800031-5

**Price:** from 7,28 €



## MOUNTING PLATE FOR REMOTE CONTROL W/MAGNET LINAK

Weight 0,1 kg  
Dimensions 1,2 × 5 × 14,3 mm

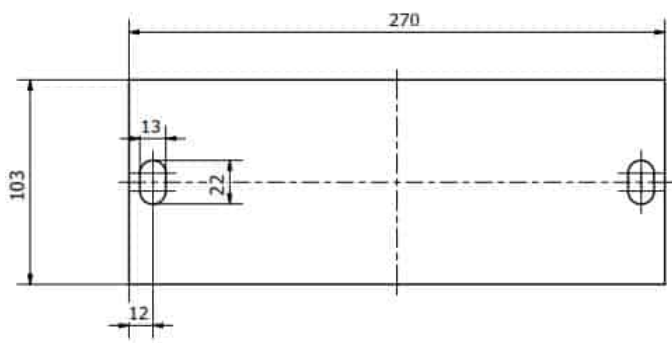
[Read more](#)

**SKU:** MB001

**Price:** from 8,32 €

Figure 7 Bracket for the BP10 series

Drawing no. 1055W4008



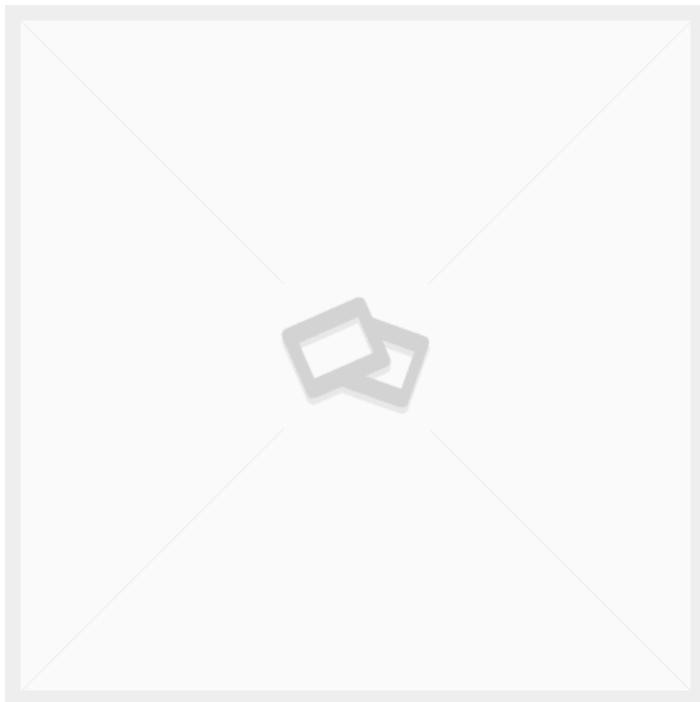
## PLATE IN 10MM. 103X270MM

Weight 0,8 kg  
Dimensions 27 × 10,3 × 1 mm

[Read more](#)

**SKU:** 3086800031-3

**Price:** from 12,48 €



## TAPE / LINER STAND

[Read more](#)

**SKU:** 2090000066

**Price:** from 304,46 €



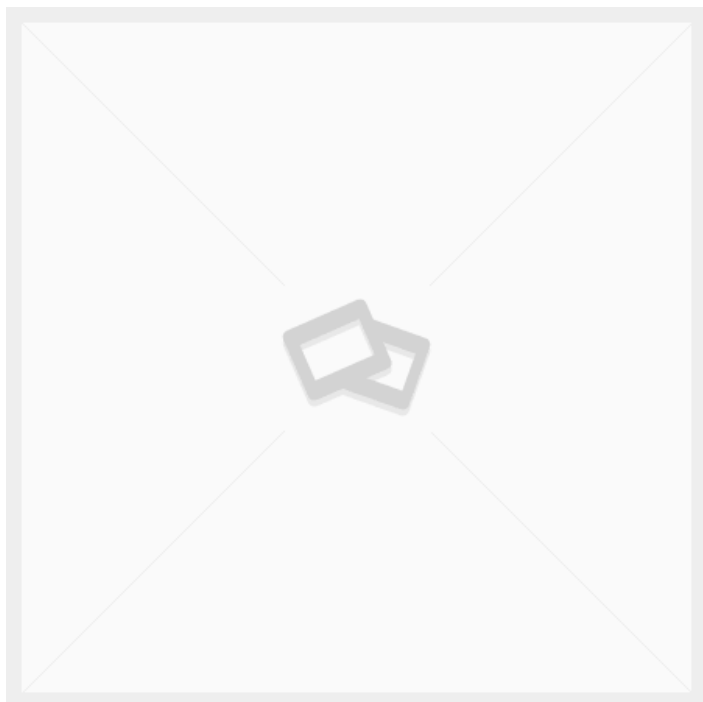
## 50X50X1.5 SQUARE TUBE PRECISION STEEL TUBE DECAPPED

Weight 2,28 kg  
Dimensions 100 × 5 × 5 mm

[Read more](#)

**SKU:** JRKP506

**Price:** from 2,16 €



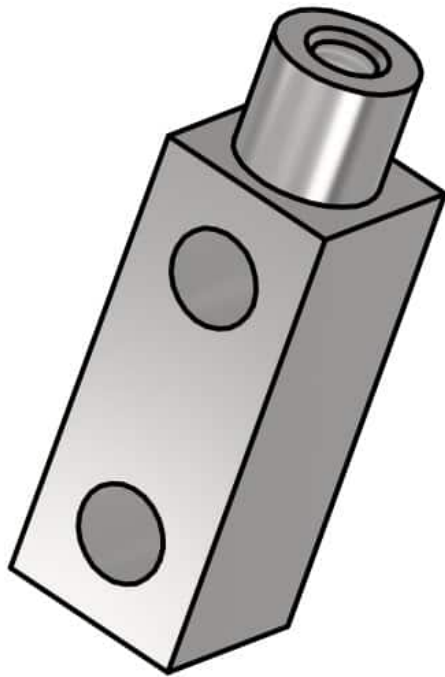
## BASE PLATE STAINLESS STEEL 1.5X606X856MM LASER CUT

Dimensions 10 × 5 × 2,5 mm

[Read more](#)

**SKU:** 116063

**Price:** from 61,45 €



## THREADED STUD 20X20MM M8 THREAD

Weight 0,4 kg  
Dimensions 2 × 2 × 6,3 mm

[Read more](#)

**SKU:** 3086800031-4

**Price:** from 13,52 €



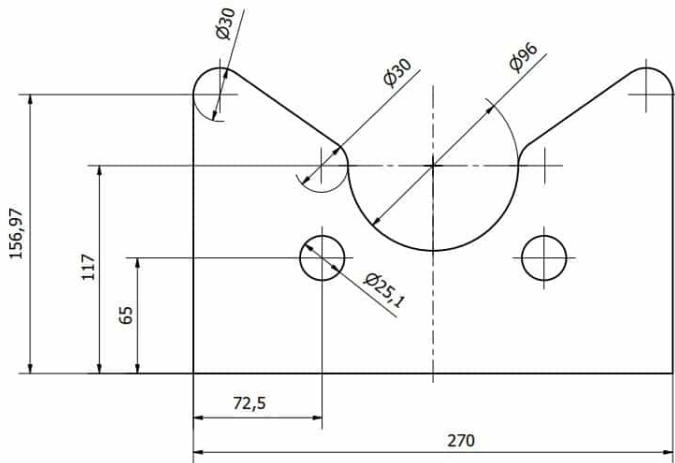
## DRAWER SECTION 3X100MM TOP HUNG

Weight 19 kg  
Dimensions 500 × 385 × 435 mm

[Read more](#)

**SKU:** 184480408

**Price:** from 622,70 €



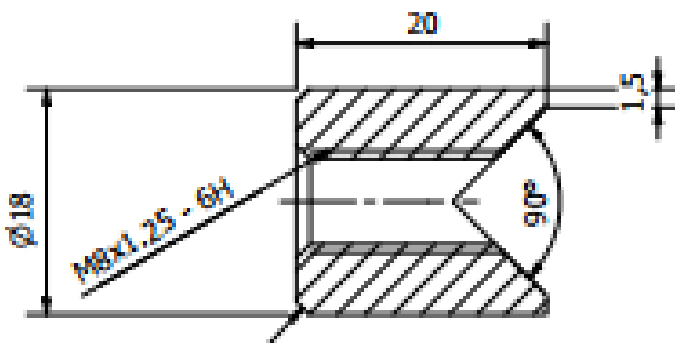
## CUT BRACKET PLATE IN 10MM

Weight 1,5 kg  
Dimensions 1 × 27 × 18 mm

[Read more](#)

**SKU:** 3086800031-2

**Price:** from 17,94 €



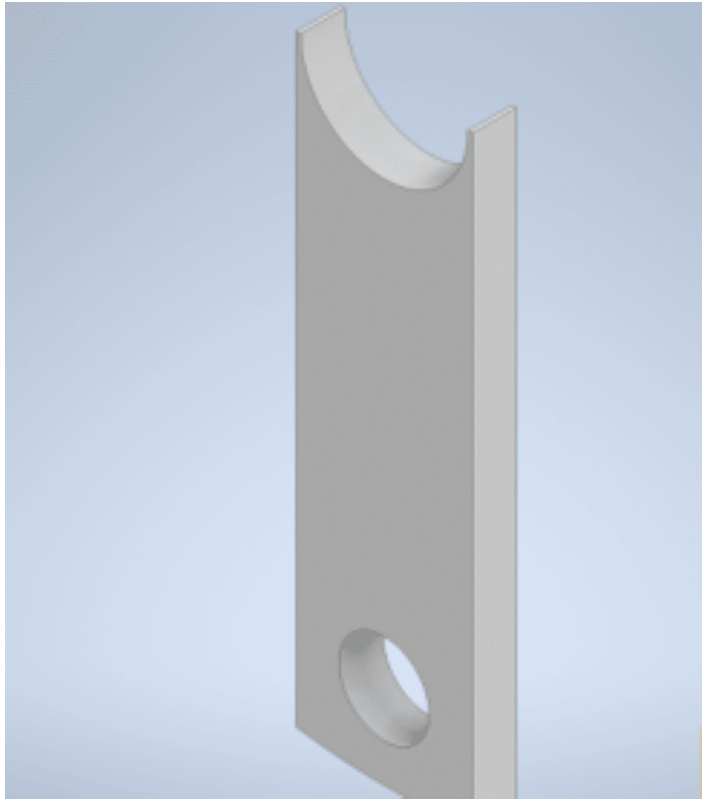
## STAINLESS STEEL PLUG FOR TAPE/LINER STAND

Dimensions 4 × 2 × 2 mm

[Read more](#)

**SKU:** B100000-Ø18X20 M8-90

**Price:** from 10,40 €



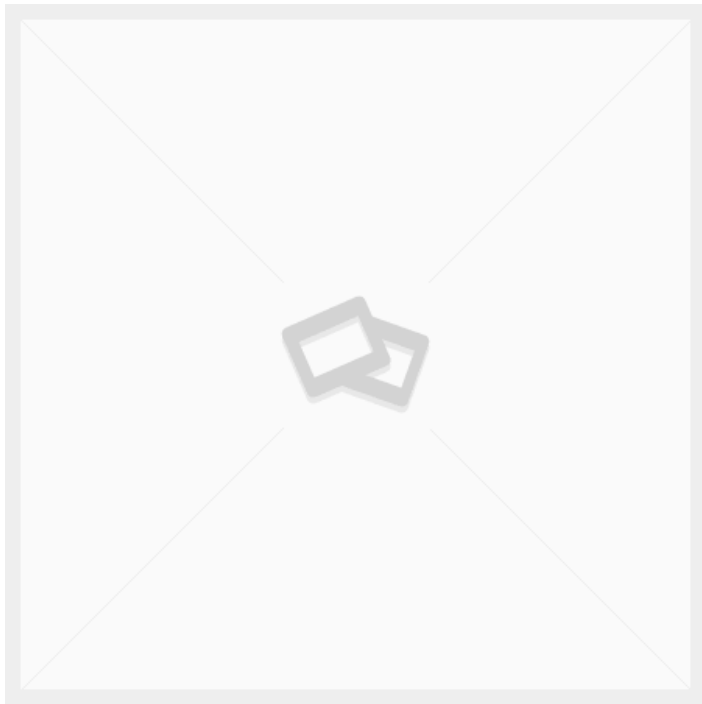
## REINFORCEMENT FOR POS STOP 5X20MM

Dimensions 59,5 × 2 × 0,5 mm

[Read more](#)

**SKU:** 3086800035-12

**Price:** from 3,58 €



## STAINLESS STEEL PROFILE GUIDE 1.5X25X50X100MM

Dimensions 10 × 5 × 2,5 mm

[Read more](#)

**SKU:** 116062

**Price:** from 9,10 €

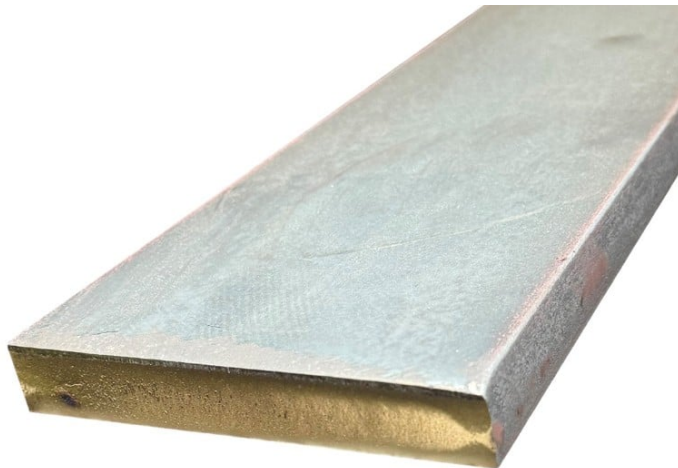


## STAINLESS STEEL ROLLER TABLE WITH PUSH BAR - 600X400MM

Sizes	600x400mm
approx. weight	18kg
Maximum Load	200kg
Wheels	Ø75
Suitable for the food industry	✓

[Read more](#)

**SKU:** N/A

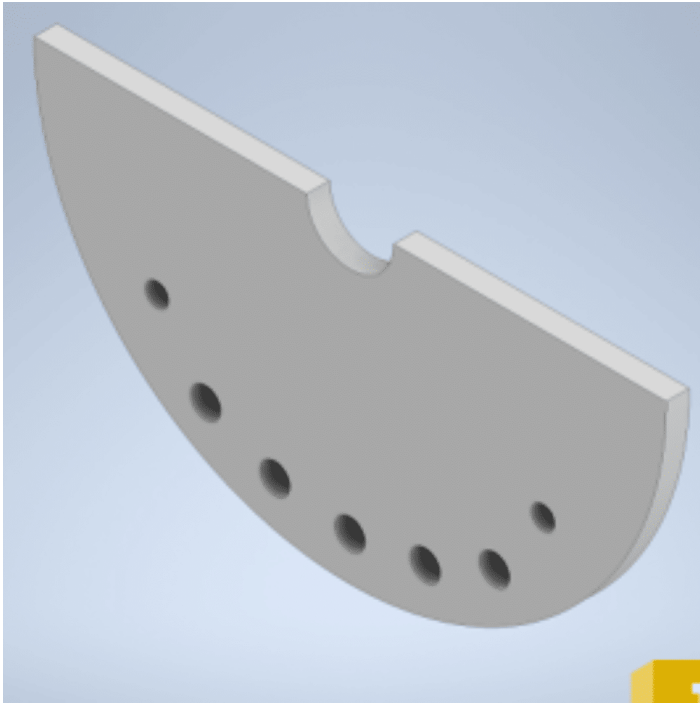


## 20X3 FLAT STEEL S275JR

Weight	0,47 kg
Dimensions	100 × 2 × 0,3 mm

[Read more](#)

**SKU:** 347774



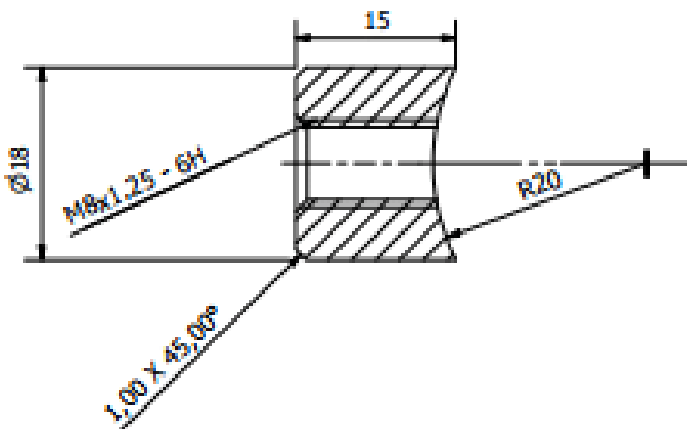
## PLATE FOR TILT WITH HOLES 5MM

Dimensions 7 × 14 × 0,5 mm

[Read more](#)

**SKU:** 3086800035-11

**Price:** from 6,11 €



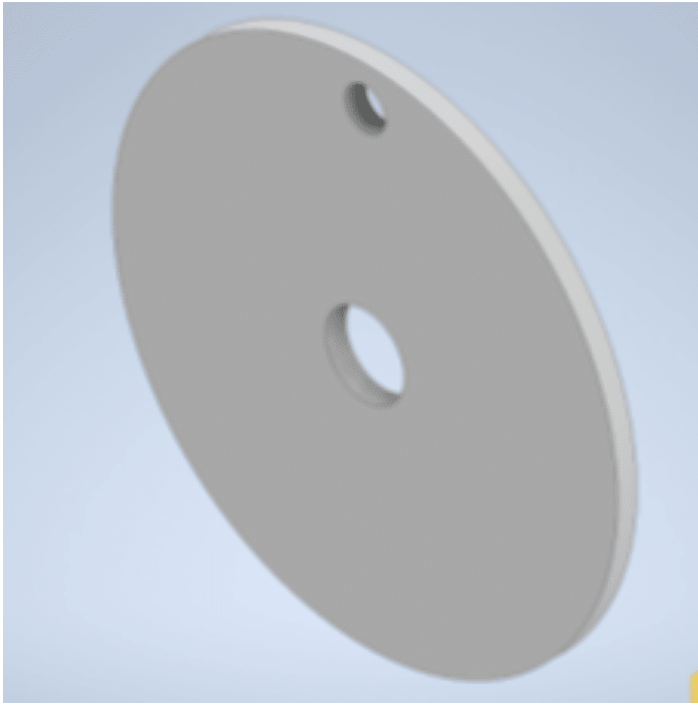
## STAINLESS STEEL PLUG FOR TAPE/LINER STAND

Weight 0,3 kg  
Dimensions 4 × 2 × 2 mm

[Read more](#)

**SKU:** B100000-Ø18X15-M8-R2

**Price:** from 7,54 €



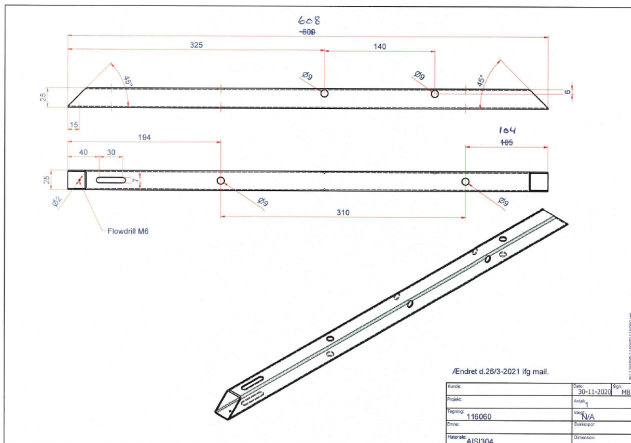
## PLATE FOR POSITION STOP

Dimensions 13 × 13 × 0,5 mm

[Read more](#)

**SKU:** 3086800035-10

**Price:** from 6,24 €



## STAINLESS STEEL PROFILE GUIDE 1.5X25X25X608MM

Dimensions 60 × 2,5 × 2,5 mm

[Read more](#)

**SKU:** 116060

**Price:** from 23,40 €

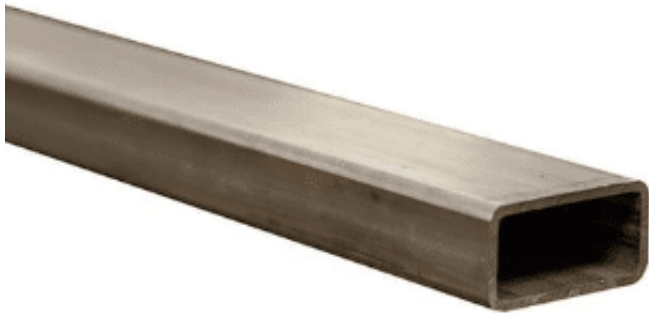
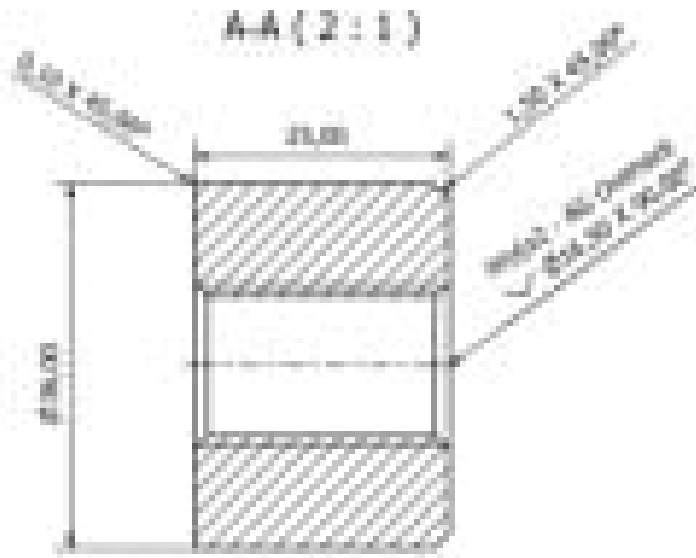
## PLUG Ø36XM16-25 STEEL 235 OVERSIZE

Weight 0,25 kg  
Dimensions 25 × 36 × 36 mm

[Read more](#)

**SKU:** B100000-Ø36xM16-25 st\_6G

**Price:** from 9,69 €



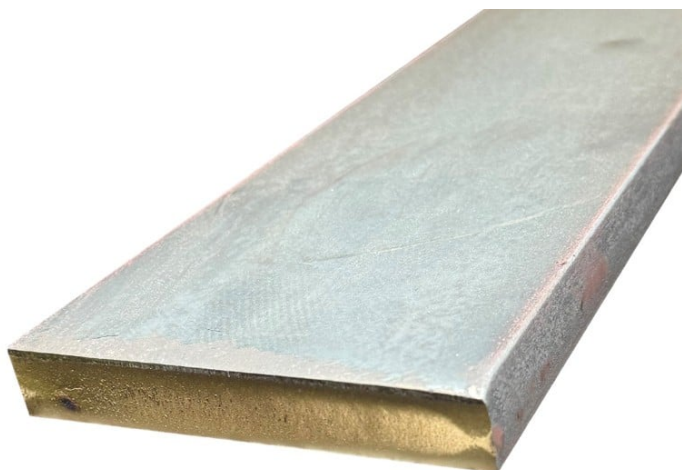
## 40X20X1.5 SQUARE TUBE PRECISION STEEL TUBE

Weight 1,34 kg  
Dimensions 100 × 3 × 3 mm

[Read more](#)

**SKU:** 349657

**Price:** from 3,08 €



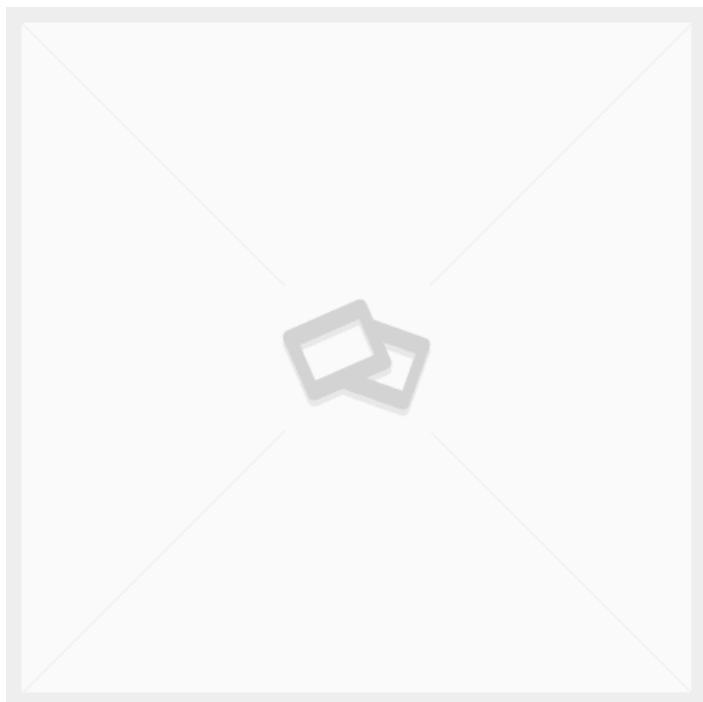
## 20X6 FLAT STEEL S275JR

Weight 0,94 kg  
Dimensions 100 × 2 × 0,6 mm

[Read more](#)

**SKU:** 347789

**Price:** from 1,89 €

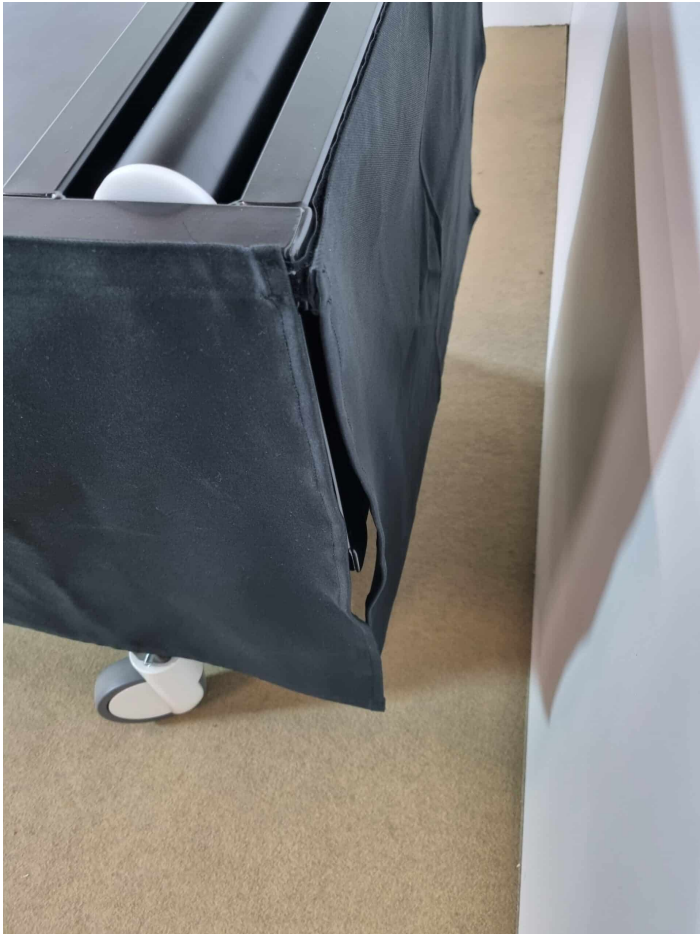


## ROLLSTAND COMPLETE - 1350 MM CORE

[Read more](#)

**SKU:** 3086800019

**Price:** from 3.987,75 €



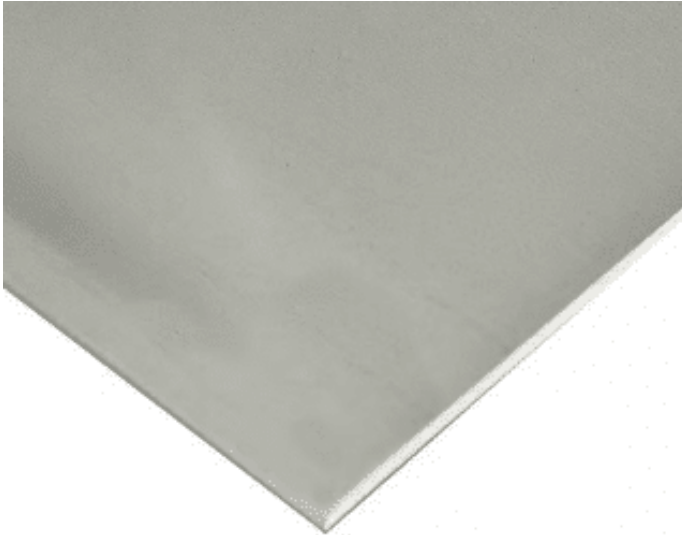
## CATAFALQUE APRON 2080X700

Dimensions 3 × 2100 × 470 mm

[Read more](#)

**SKU:** 1234

**Price:** from 254,80 €



## STAINLESS STEEL PLATE 3X1000X2000MM

Weight 48 kg  
Dimensions 200 × 100 × 0,02 mm

[Read more](#)

**SKU:** RAKB213

**Price:** from 273,00 €



## TENT WHEELS Ø160 FIXED 3478UFP160P63

Weight 1,8 kg  
Dimensions 137 × 115 × 200 mm

[Read more](#)

**SKU:** 00000803

**Price:** from 32,50 €



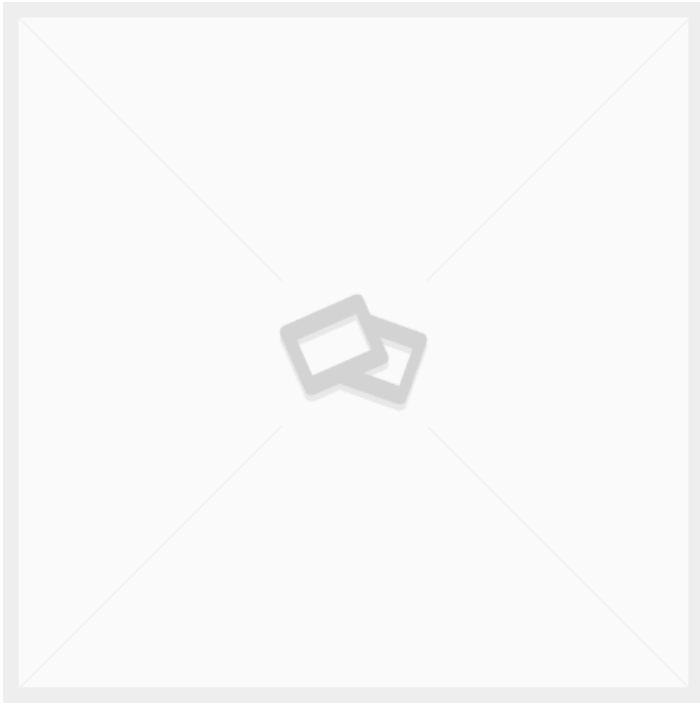
## 40X40X2 SQUARE TUBE PRECISION STEEL TUBE EN10305

Weight 2,38 kg  
Dimensions 1000 × 40 × 40 mm

[Read more](#)

**SKU:** 349649

**Price:** from 5,07 €



## MISCELLANEOUS PURCHASED ITEM

[Read more](#)

**SKU:** 910

**Price:** from 13,00 €

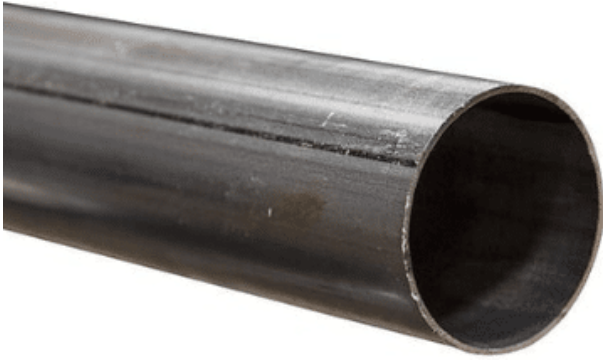


## POM ROLL WITH BALL BEARING

[Read more](#)

**SKU:** 3089800031-6

**Price:** from 23,92 €



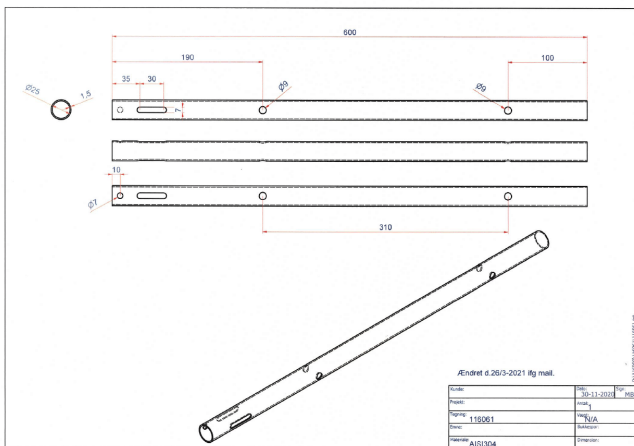
## Ø60X2 PRECISION WELDED STEEL PIPE

Dimensions 100 × 6 × 6 mm

[Read more](#)

**SKU:** JRRP6020

**Price:** from 6,48 €



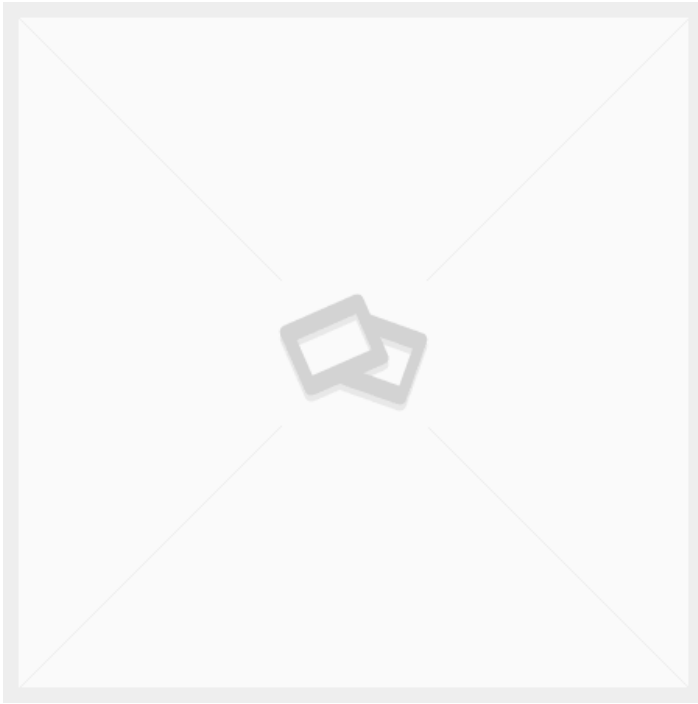
## STAINLESS STEEL PROFILE GUIDE 1.5X25X25X600MM

Dimensions 60 × 2,5 × 2,5 mm

[Read more](#)

**SKU:** 116061

**Price:** from 27,30 €



## HEIGHT ADJUSTABLE TABLE - DUO-LET 3070 - MODEL 1

[Read more](#)

SKU: N/A



## WORKTOP 1200X650X18 W/ABS EDGE LIGHT GRAY

Weight 35 kg  
Dimensions 120 × 300 × 1,8 mm

[Read more](#)

SKU: 1200x650x18

Price: from 267,54 €

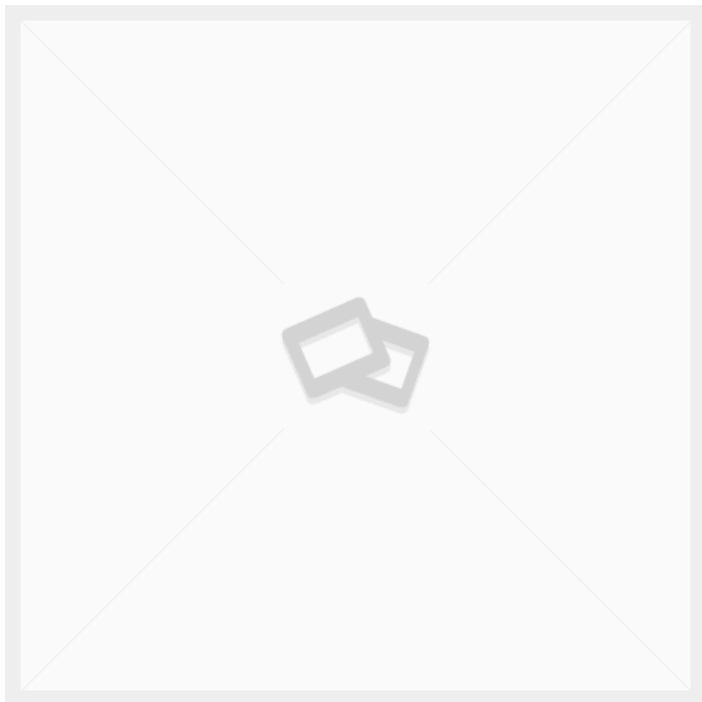


## 30X30 PIPE LEG PLASTIC PLUG BLACK B44 DUPSKO

Weight 0,02 kg  
Dimensions 3 × 3 × 2,7 mm

[Read more](#)

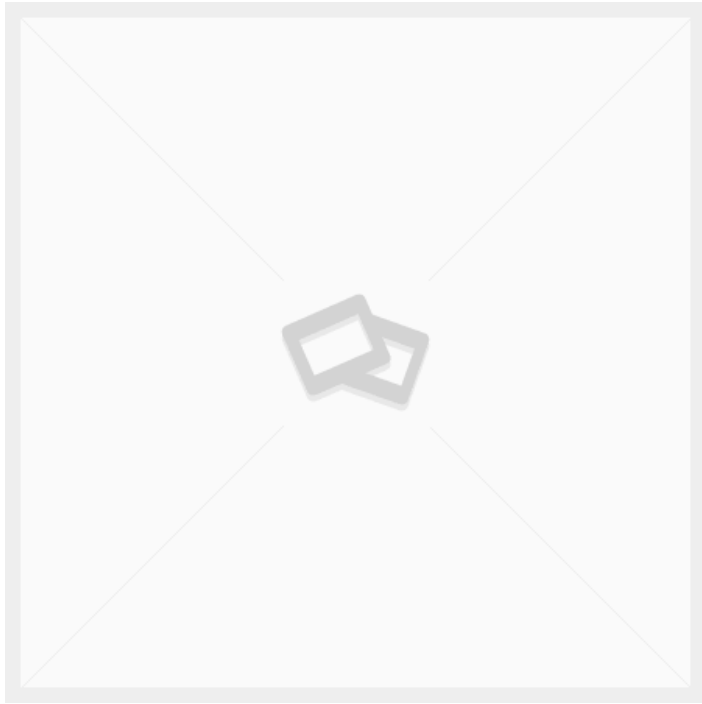
**SKU:** S110344 B44-3030



## FEE

[Read more](#)

**SKU:** gebyr

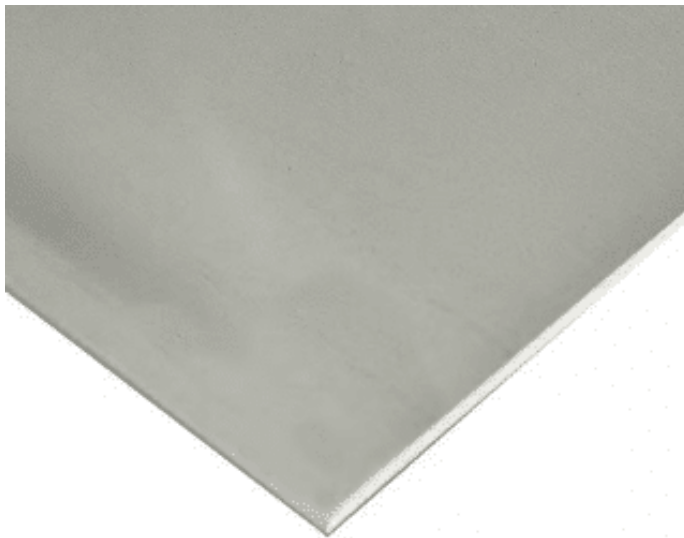


## MULTIFUNCTIONAL EAR TAG CART

[Read more](#)

**SKU:** 086R13-A

**Price:** from 1.514,50 €



## STAINLESS STEEL PLATE 1.5X1000X2000MM

Weight

24 kg

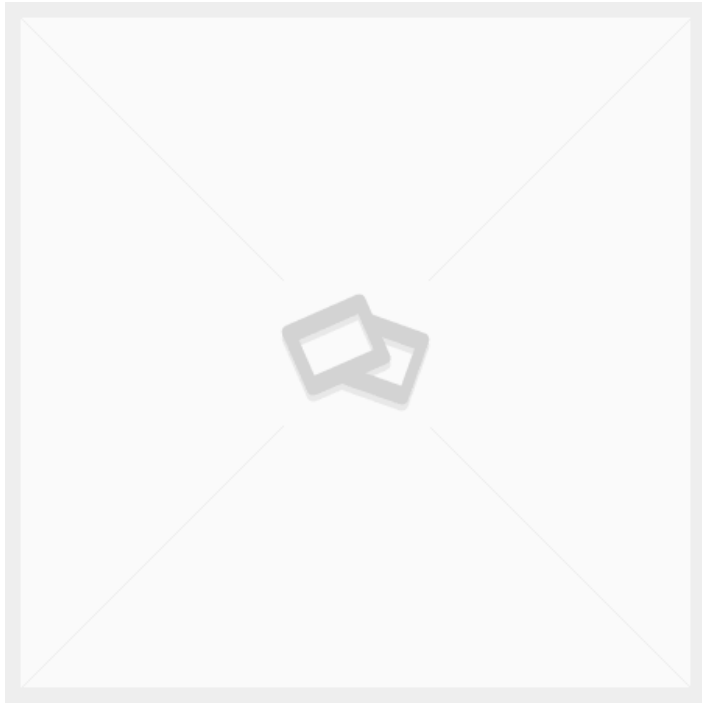
Dimensions

200 × 100 × 0,02 mm

[Read more](#)

**SKU:** RAKB2115

**Price:** from 138,58 €



## TEXTILE TROLLEY WITH FOLD-DOWN HANDLE

[Read more](#)

SKU: N/A



## MOUNTING BRACKET FOR LIFTING COLUMN LINAK DL2

Weight

0,1 kg

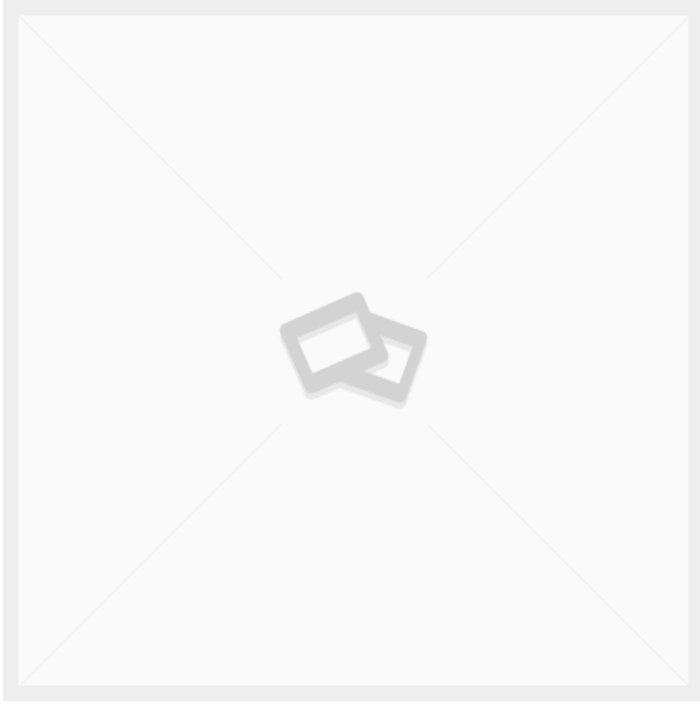
Dimensions

5 × 8 × 2 mm

[Read more](#)

SKU: 0578006

Price: from 26,00 €



## TUB 85 LITERS WHITE 80X55X33CM

Weight 2 kg  
Dimensions 80 × 55 × 33 mm

[Read more](#)

**SKU:** 103958001

**Price:** from 45,50 €



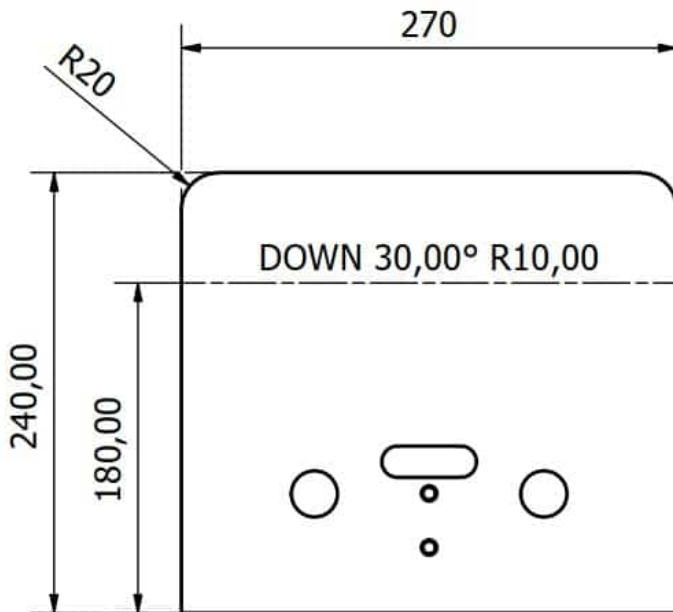
## POM ROLL WITH BALL BEARING

Dimensions 10 × 8,5 × 8,5 mm

[Read more](#)

**SKU:** 3089800031-7

**Price:** from 30,16 €



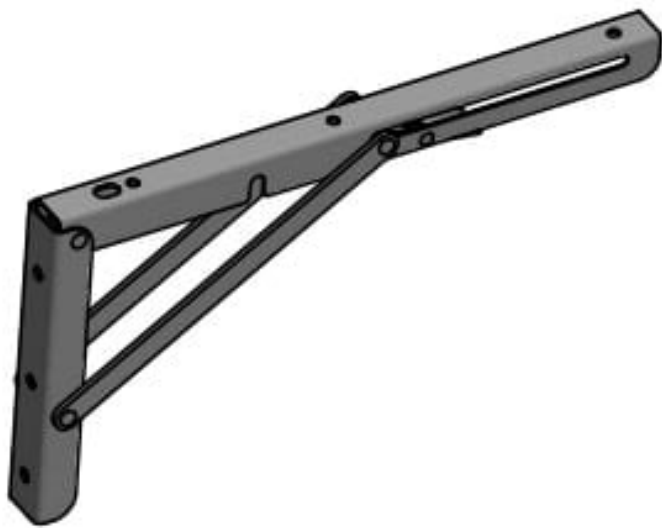
## CURVED BRACKET IN 10MM PLATE

Weight 1,5 kg  
Dimensions 30 × 27 × 24 mm

[Read more](#)

**SKU:** 3086800031-1

**Price:** from 30,68 €



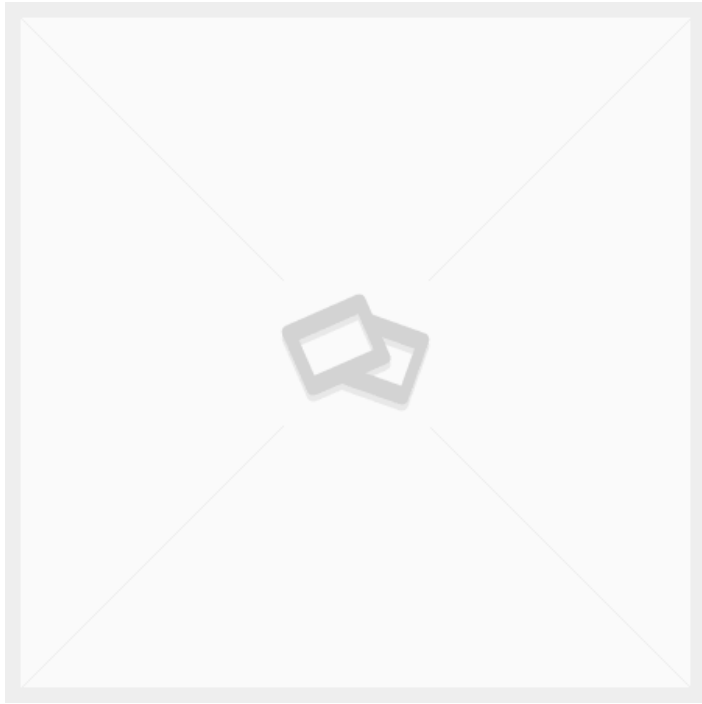
## STAINLESS STEEL HINGE BRACKET FOR SHELF. 165X305MM. SHELF BOY

Weight 0,4 kg  
Dimensions 30,5 × 2,3 × 16,5 mm

[Read more](#)

**SKU:** 318905

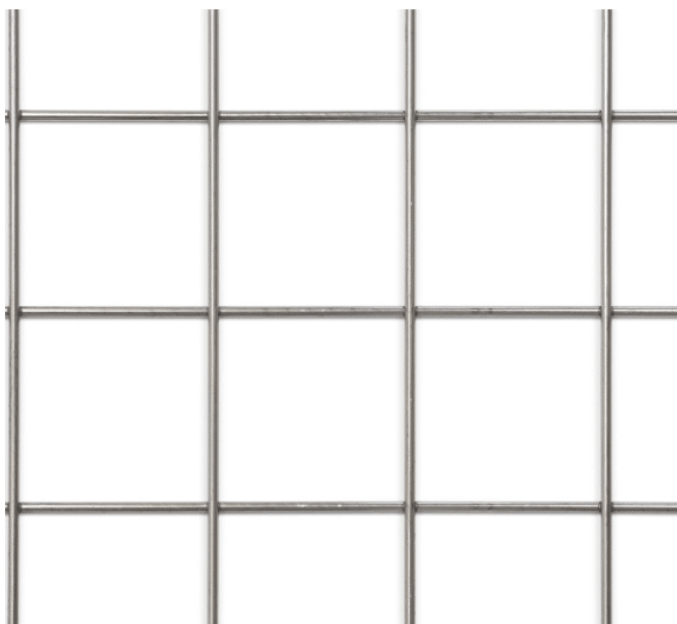
**Price:** from 18,20 €



## 30X30 PIPE LEG B44-3030 PLASTIC PLUG BLACK

[Read more](#)

**SKU:** S110344



## WIRE MESH Ø4 MESH C/C 50MM WELDED BLACK STEEL 1500X3000

Weight

30 kg

Dimensions

300 × 150 × 1 mm

[Read more](#)

**SKU:** 4340501503

**Price:** from 195,00 €



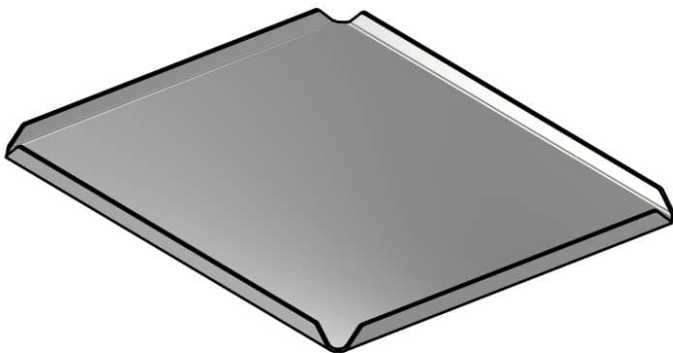
## 30X30X2 SQUARE TUBE PRECISION STEEL TUBE

Weight 1,34 kg  
Dimensions 100 × 3 × 3 mm

[Read more](#)

**SKU:** 349645

**Price:** from 3,94 €



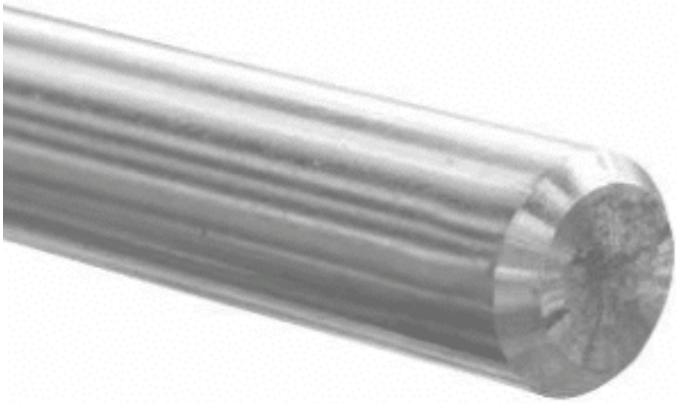
## PLATE 3MM 555X465

Weight 1 kg  
Dimensions 46,5 × 55,5 × 2 mm

[Read more](#)

**SKU:** 2090000066-2

**Price:** from 30,94 €



## ROUND STEEL Ø8 STAINLESS COLD DRAWN GROUND

Weight 0,15 kg  
Dimensions 100 × 0,8 × 0,8 mm

[Read more](#)

**SKU:** RFBR8

**Price:** from 2,16 €



## HAND GRIP M8X30 ADJUSTABLE BLACK

Weight 0,04 kg  
Dimensions 55 × 30 × 60 mm

[Read more](#)

**SKU:** BKP055M

**Price:** from 7,20 €



## 30X30X3 SQUARE TUBE HOLLOW PROFILE COLD FORMED

Weight 2,36 kg  
Dimensions 100 × 3 × 3 mm

[Read more](#)

**SKU:** 349228

**Price:** from 4,84 €



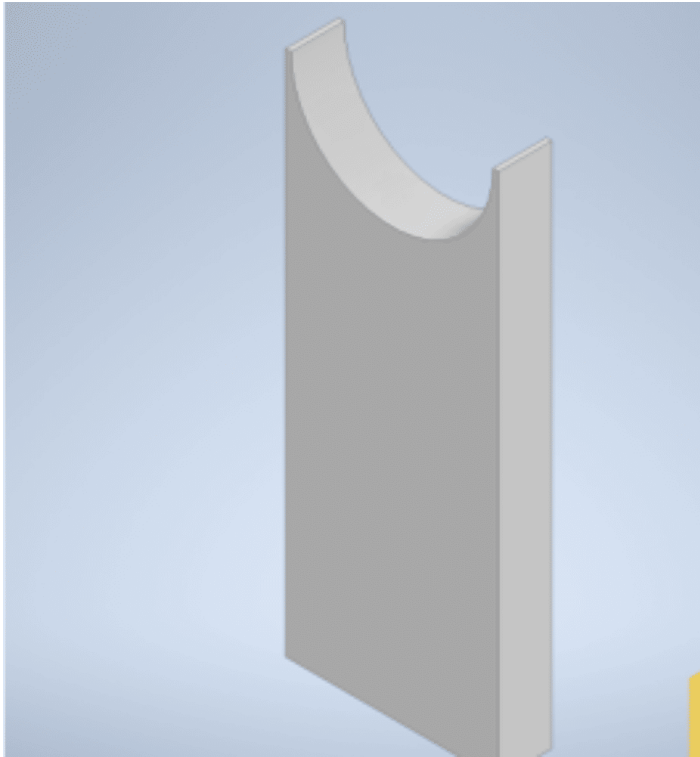
## TRANSPORT CAGE

Weight 73,2 kg

[Read more](#)

**SKU:** S110131

**Price:** from 648,05 €



## DETAIL FOR PACKAGE STAND 5X20MM

Dimensions 49,5 × 2 × 0,5 mm

[Read more](#)

**SKU:** 3086800035-13

**Price:** from 3,51 €



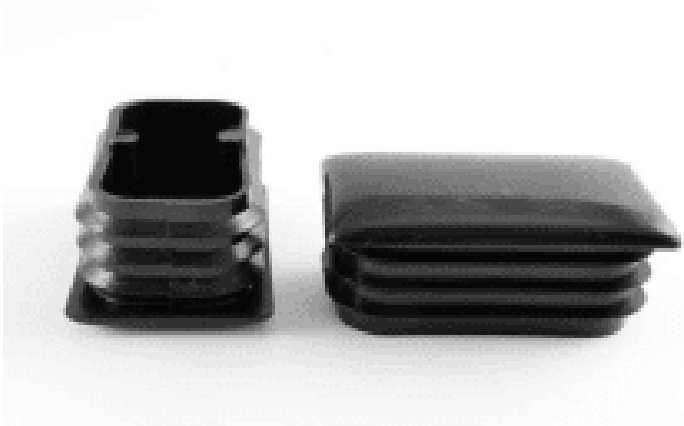
## PROFILE TUBE 25X25X1.5 STAINLESS BRUSHED

Weight 1,14 kg  
Dimensions 100 × 2,5 × 2,5 mm

[Read more](#)

**SKU:** RIV42515

**Price:** from 19,48 €



## 50X30 1 PIPE LEG PLASTIC PLUG BLACK B46 DUPSKO

Weight 0,02 kg  
Dimensions 2,7 × 3 × 5 mm

[Read more](#)

**SKU:** B46-5030 1



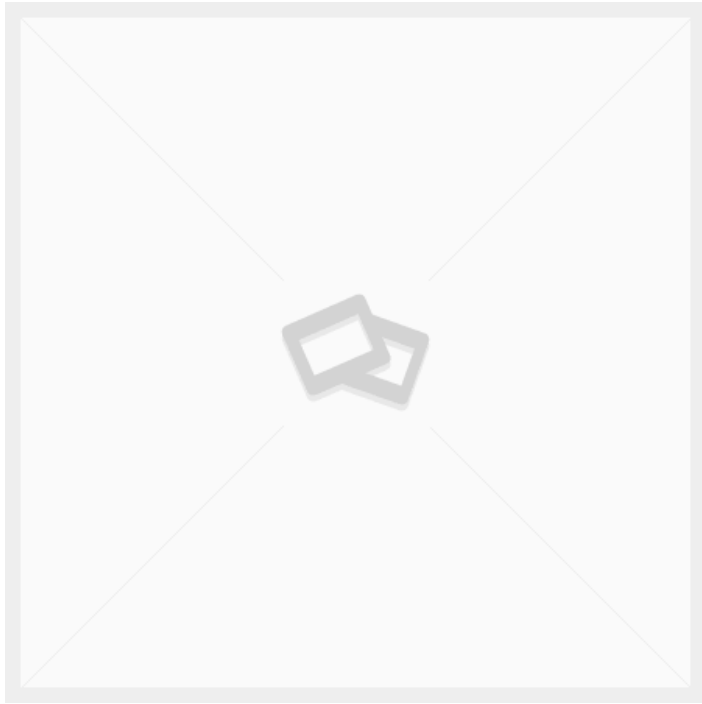
## 30X50X3 SQUARE TUBE HOLLOW PROFILE COLD FORMED

Weight 3,3 kg  
Dimensions 100 × 3 × 3 mm

[Read more](#)

**SKU:** 349232

**Price:** from 6,76 €

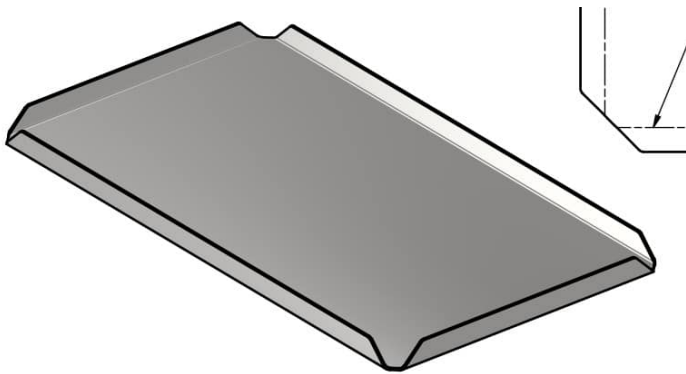


## TEXTILE TROLLEY - LARGE MODEL

[Read more](#)

**SKU:** 050T1-V3

**Price:** from 290,55 €



## PLATE 2MM 555X325MM

Weight

1 kg

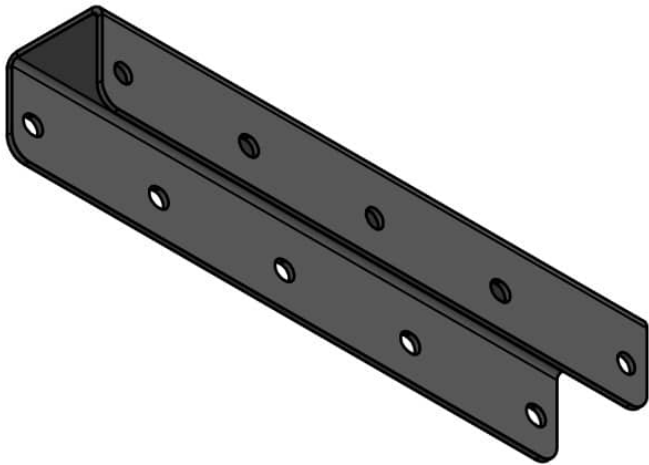
Dimensions

32,5 × 55,5 × 2 mm

[Read more](#)

**SKU:** 2090000066-1

**Price:** from 20,02 €



## CURVED U-PROFILE FOR ROLLSTAND

Weight 0,35 kg  
Dimensions 65 × 10 × 9,5 mm

[Read more](#)

**SKU:** 3086800030-17

**Price:** from 44,46 €



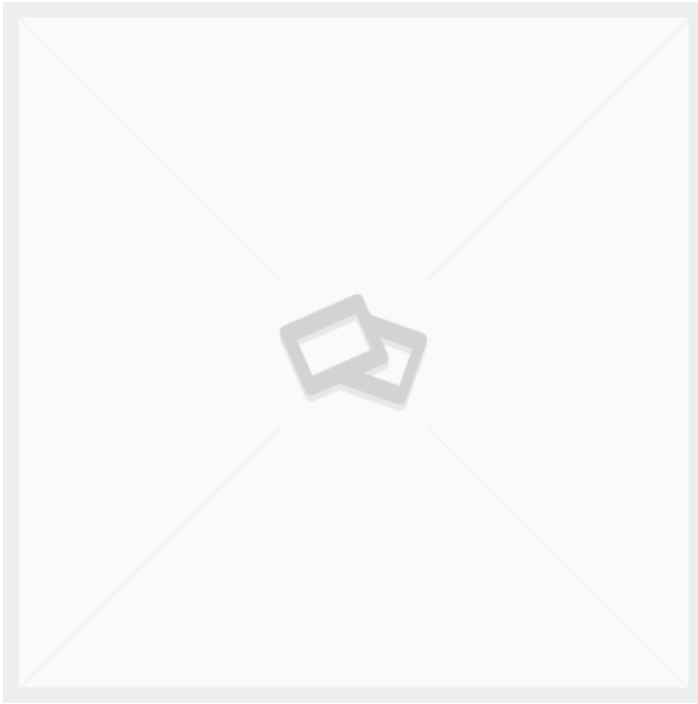
## 25X25X2 SQUARE TUBE STEEL PROFILE PIPE - EN10305-5

Weight 1,36 kg  
Dimensions 100 × 2,5 × 2,5 mm

[Read more](#)

**SKU:** S110391\_2

**Price:** from 2,69 €

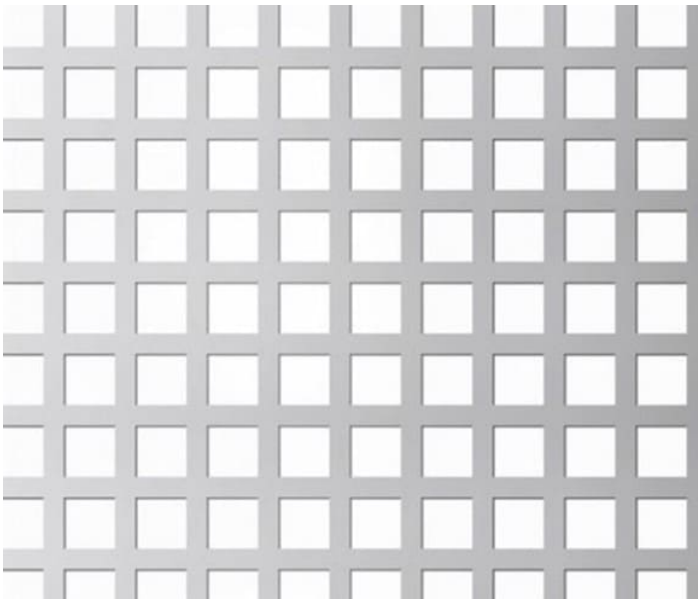


## 30X30X1.5 SQUARE TUBE PRECISION STEEL TUBE

[Read more](#)

**SKU:** S110405

**Price:** from 3,01 €



## PERFORATED SHEET 9X9MM HOLES 7% AIR

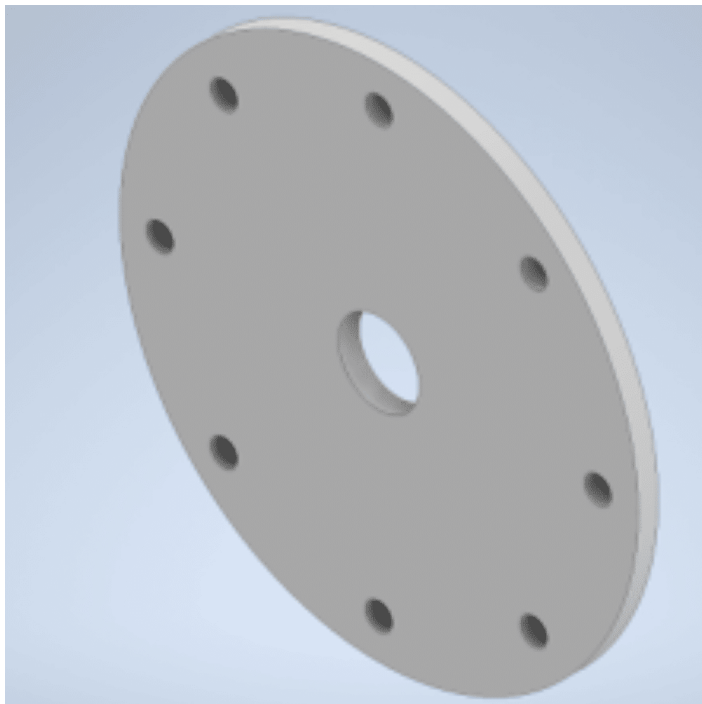
Dimensions

200 × 100 × 0,15 mm

[Read more](#)

**SKU:** F812150300

**Price:** from 82,16 €



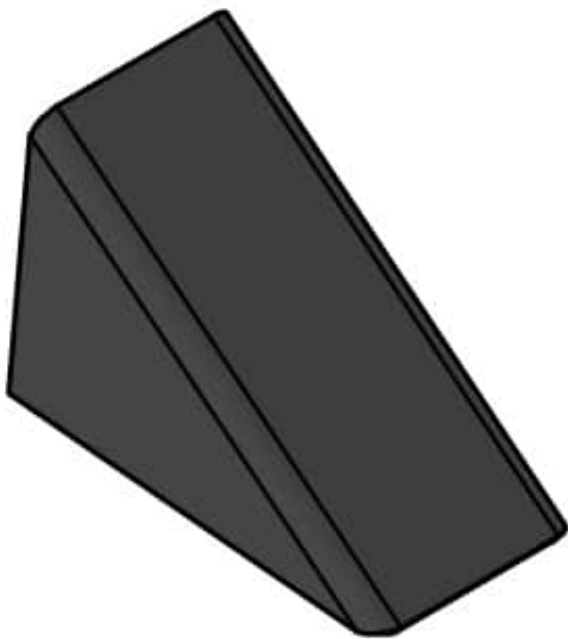
## WASHER WITH HOLES Ø130X5MM

Dimensions 13 × 13 × 0,5 mm

[Read more](#)

**SKU:** 3086800035-14

**Price:** from 7,02 €



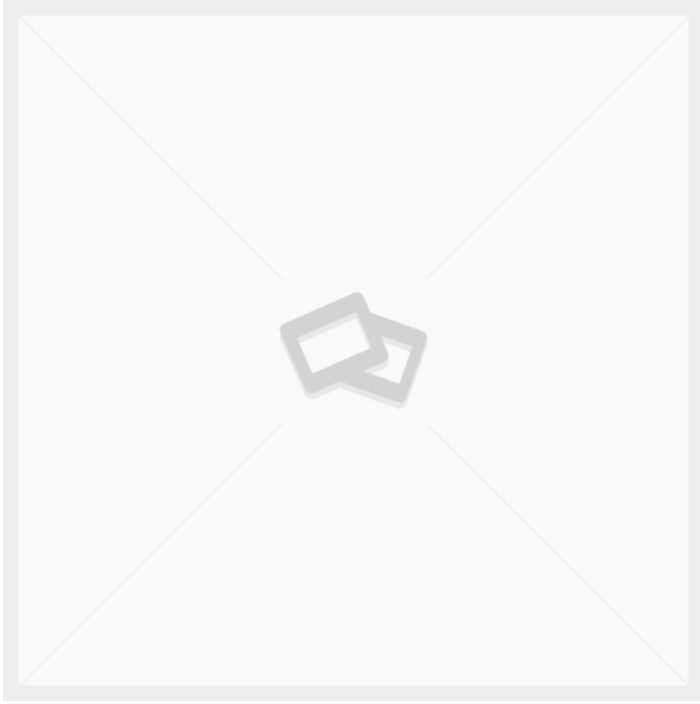
## CURVED SUPPORT PLATE FOR ROLLSTAND

Weight 0,4 kg  
Dimensions 22,5 × 10 × 10 mm

[Read more](#)

**SKU:** 3086800030-9

**Price:** from 10,14 €



## 30X20X1.5 SQUARE TUBE PRECISION STEEL TUBE

Weight 1,1 kg  
Dimensions 100 × 2 × 3 mm

[Read more](#)

**SKU:** S110391\_2\_2

**Price:** from 2,09 €



## 30X30X2 SQUARE TUBE STEEL PROFILE TUBE

Weight 1,75 kg  
Dimensions 100 × 3 × 3 mm

[Read more](#)

**SKU:** S110405\_2

**Price:** from 3,28 €



## HOLDER FOR UP/DOWN OPERATION LINAK 90GR

Weight 0,05 kg  
Dimensions 5 × 4 × 2 mm

[Read more](#)

**SKU:** 914757

**Price:** from 1,40 €



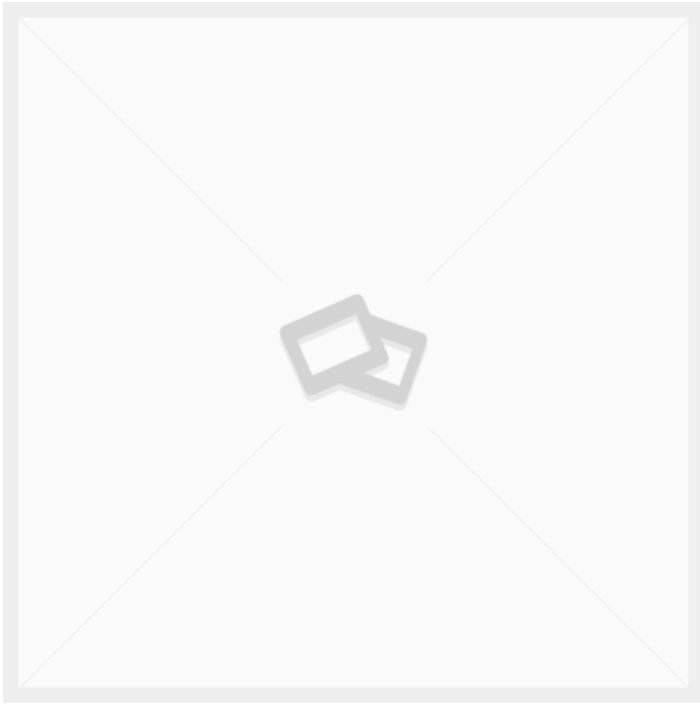
## MACHINE SHOE Ø55 BLACK 33-D55M10X30 1

Weight 0,16 kg  
Dimensions 5 × 55,5 × 5,1 mm

[Read more](#)

**SKU:** 33-D55M10X30 1

**Price:** from 10,24 €



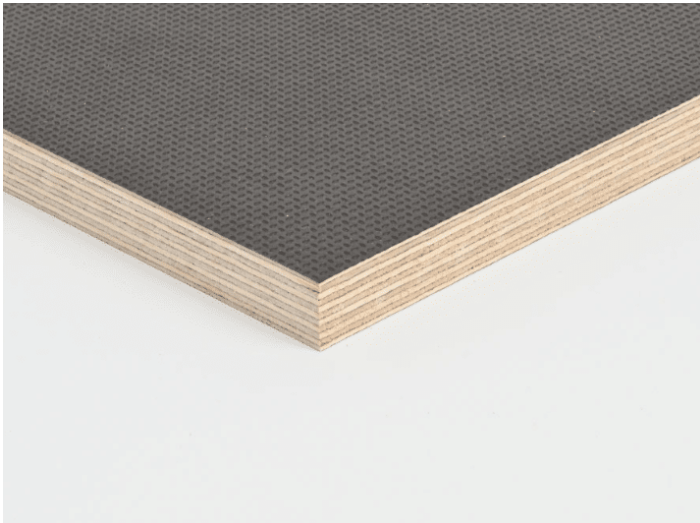
## PLATE 20MM 600X110MM

Weight 1,2 kg  
Dimensions 2 × 11 × 60 mm

[Read more](#)

**SKU:** 3086800030-7

**Price:** from 95,42 €



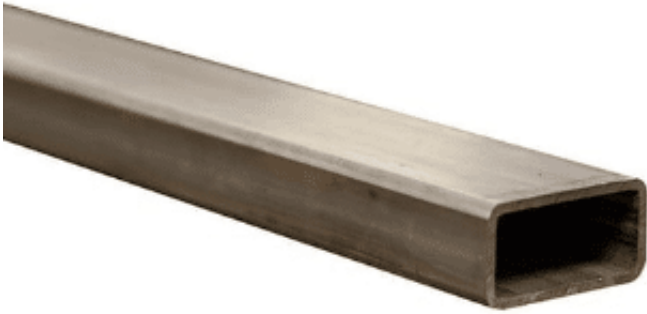
## BIRCH PLYWOOD WIRE/FILM 2500X1250X15MM CARRIAGE BASE PLATE

Weight 25 kg  
Dimensions 250 × 125 × 1,5 mm

[Read more](#)

**SKU:** 1004945

**Price:** from 201,54 €



## 30X20X1.5 SQUARE TUBE PRECISION STEEL TUBE

Weight 1,1 kg  
Dimensions 100 × 2 × 3 mm

[Read more](#)

**SKU:** JREP3215

**Price:** from 2,09 €



## WORKTOP 3000X1200X18 W/ABS EDGE LIGHT GRAY

Weight 35 kg  
Dimensions 120 × 300 × 1,8 mm

[Read more](#)

**SKU:** 3000x1200x18

**Price:** from 785,72 €

## THREADED ROD M6X1000 STAINLESS A2

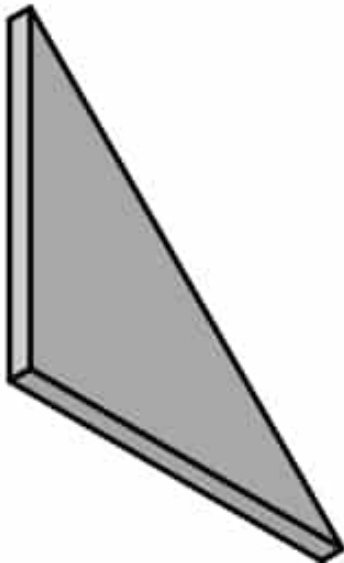


Dimensions 100 × 0,6 × 0,6 mm

[Read more](#)

**SKU:** 2150806000

**Price:** from 2,36 €



## PLATE 5MM 75X75MM SUPPORT

Weight 0,4 kg  
Dimensions 0,5 × 7,5 × 7,5 mm

[Read more](#)

**SKU:** 3086800030-8

**Price:** from 3,19 €

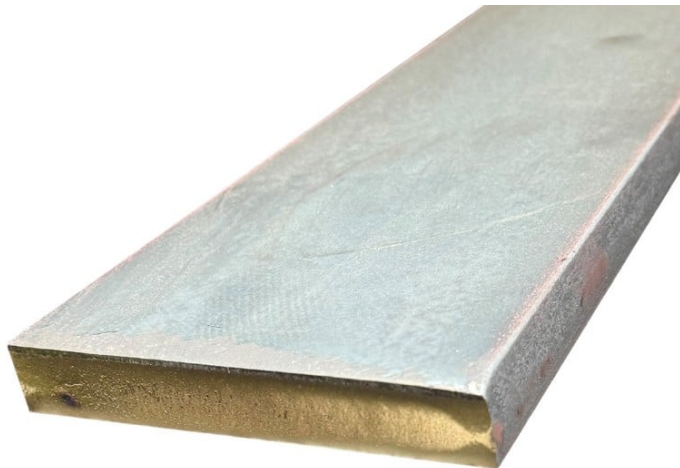


## HAND GRIP M8X30 BLACK

Dimensions 17 × 40 × 40 mm

[Read more](#)

**SKU:** 83D40M 8x30/20 1



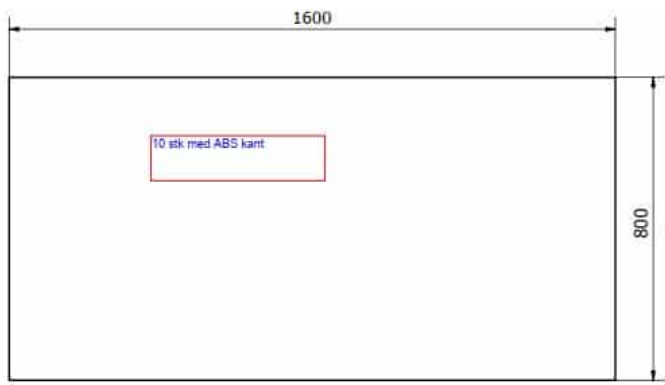
## 80X6 FLAT STEEL S275JR

Weight 1,41 kg  
Dimensions 100 × 8 × 0,6 mm

[Read more](#)

**SKU:** 347959

**Price:** from 6,23 €



## B100000 WORKTOP 1600X800X24 LIGHT GRAY

Dimensions 80 × 160 × 1,6 mm

[Read more](#)

**SKU:** B100000 bordplade

**Price:** from 361,14 €



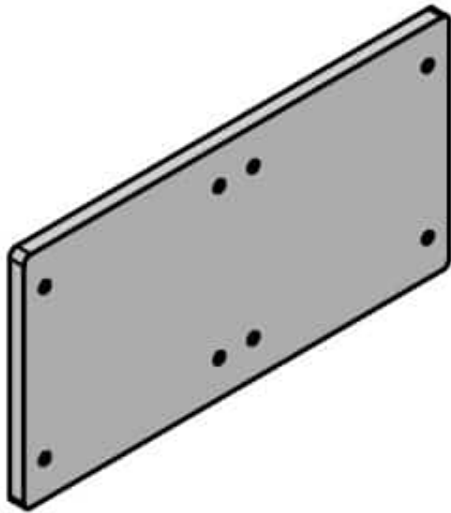
## POSITIONING BOLT WITHOUT STOP M12X1.5 THREAD

Weight 0,15 kg  
Dimensions 2 × 2 × 6,1 mm

[Read more](#)

**SKU:** MT107850

**Price:** from 8,61 €



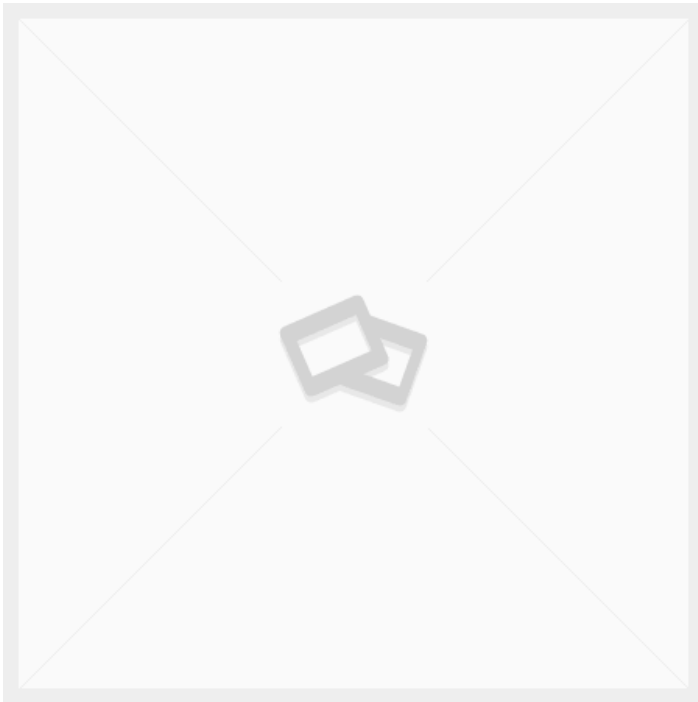
## PLATE 20MM 600X310MM

Weight 1,5 kg  
Dimensions 2 × 31 × 60 mm

[Read more](#)

**SKU:** 3086800030-6

**Price:** from 174,20 €



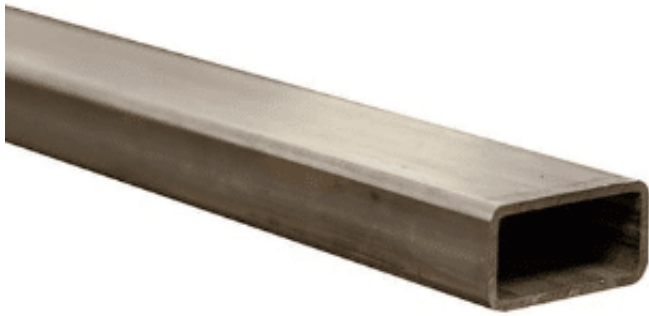
## SWIVEL HEAD M10X60 D10 B10

Weight 0,2 kg  
Dimensions 6 × 2 × 2 mm

[Read more](#)

**SKU:** 4,05925E+12

**Price:** from 7,55 €



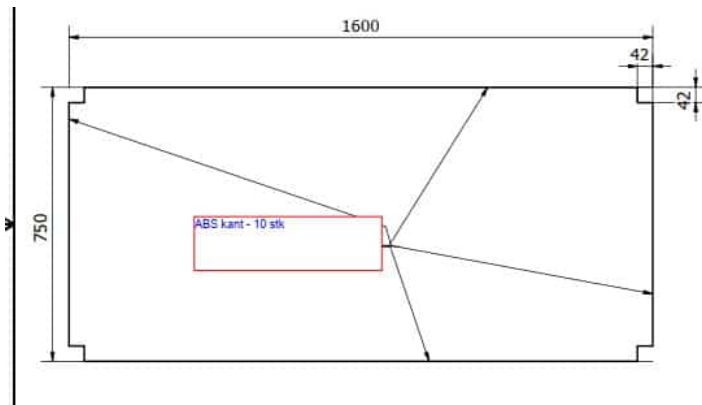
## 50X30X2 SQUARE TUBE PRECISION STEEL TUBE

Weight 2,38 kg  
Dimensions 100 × 5 × 3 mm

[Read more](#)

**SKU:** 349664

**Price:** from 5,61 €



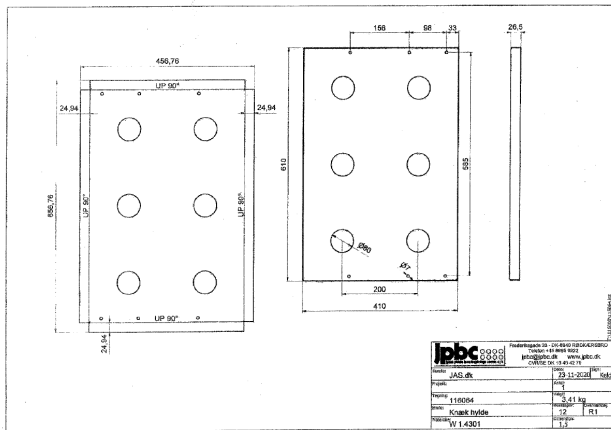
## B100000 BOTTOM SHELF 1600X750X18

Dimensions 75 × 160 × 1,6 mm

[Read more](#)

**SKU:** B100000-underhylde

**Price:** from 318,50 €



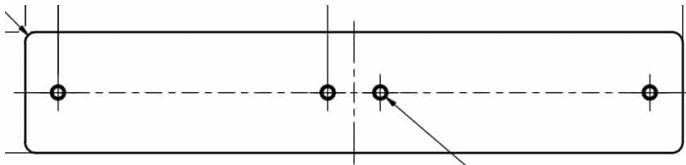
## KNUCKLE SHELF STAINLESS STEEL 1.5MM LASER CUT

Dimensions 10 × 5 × 2,5 mm  
Color

[Read more](#)

**SKU:** 116064

**Price:** from 78,07 €



## PLATE 20MM 600X110MM

Weight 1,2 kg  
Dimensions 2 × 11 × 60 mm

[Read more](#)

**SKU:** 3086800030-7A

**Price:** from 95,42 €

# INDEX

## 2

20x3 flat steel S275JR 11  
20x6 flat steel S275JR 15  
25x25x2 square tube steel profile pipe - EN10305-5 33

## 3

30x20x1.5 square tube precision steel tube 36, 39  
30x30 Pipe leg B44-3030 Plastic plug black 26  
30x30 Pipe leg plastic plug black B44 dupsko 21  
30x30x1.5 square tube precision steel tube 34  
30x30x2 square tube precision steel tube 27  
30x30x2 square tube steel profile tube 36  
30x30x3 square tube hollow profile cold formed 29  
30x50x3 square tube hollow profile cold formed 31  
30x6 flat steel S275JR 4

## 4

40x20x1.5 square tube precision steel tube 14  
40x40x2 square tube precision steel tube EN10305 17

## 5

50x30 1 Pipe leg plastic plug black B46 dupsko 31  
50x30x2 square tube precision steel tube 44  
50x50x1.5 square tube precision steel tube decapped 7

## 8

80x6 flat steel S275JR 41

## B

B100000 bottom shelf 1600x750x18 44  
B100000 worktop 1600x800x24 light gray 42  
Base plate stainless steel 1.5x606x856mm laser cut 7  
Birch plywood Wire/film 2500x1250x15mm carriage base plate 38

## C

Catafalque apron 2080x700 16  
Curved bracket in 10mm plate 25  
Curved support plate for rollstand 35  
Curved U-profile for rollstand 33  
Cut bracket plate in 10mm 9

## D

Detail for package stand 5x20mm 30  
Drawer section 3x100mm top hung 8

## E

Edge strip black, clamping width of 1-2mm 3  
Erg-O-Lift 300 - Tilt & Castors - 1800x1000 mm 3

## **F**

Fee 21

## **H**

Hand grip M8x30 Adjustable black 28

Hand grip M8x30 black 41

Height adjustable table - Duo-let 3070 - model 1 20

Holder for up/down operation Linak 90gr 37

## **K**

Knuckle shelf stainless steel 1.5mm laser cut 45

## **M**

Machine shoe Ø55 black 33-D55M10x30 1 37

Miscellaneous purchased item 18

Mounting bracket for lifting column Linak DL2 23

Mounting plate for remote control w/magnet Linak 5

Multifunctional ear tag cart 22

## **P**

Perforated sheet 9x9mm holes 7% air 34

Plate 20mm 600x110mm 38, 45

Plate 20mm 600x310mm 43

Plate 2mm 555x325mm 32

Plate 3mm 555x465 27

Plate 5mm 75x75mm support 40

Plate for position stop 13

Plate for tilt with holes 5mm 12

Plate in 10mm. 103x270mm 6

Plug Ø36xM16-25 steel 235 oversize 14

POM roll with ball bearing 18, 24

Positioning bolt without stop M12x1.5 thread 42

Profile tube 25x25x1.5 stainless brushed 30

## **R**

Reinforcement for pos stop 5x20mm 10

Rollstand complete - 1350 mm core 15

Round steel Ø8 stainless cold drawn ground 28

## **S**

Shaft Ø25 x 132mm 5

Stainless steel hinge bracket for shelf. 165x305mm. Shelf boy 25

Stainless steel plate 1.5x1000x2000mm 22

Stainless steel plate 3x1000x2000mm 16

Stainless steel plug for Tape/Liner Stand 9

Stainless steel plug for Tape/Liner stand 12

Stainless steel profile guide 1.5x25x25x600mm 19

Stainless steel profile guide 1.5x25x25x608mm 13

Stainless steel profile guide 1.5x25x50x100mm 10

Stainless steel roller table with push bar - 600x400mm 11

Swivel head M10x60 D10 B10 43

## **T**

Tape / Liner stand 6  
Tent wheels Ø160 fixed 3478UFP160P63 17  
Textile trolley - Large model 32  
Textile trolley with fold-down handle 23  
Threaded rod M6x1000 Stainless A2 40  
Threaded stud 20x20mm M8 thread 8  
Top plate shelf stainless steel 1.5mm (consists of 2 parts) 4  
Transport cage 29  
Tub 85 liters white 80x55x33cm 24

## **W**

Washer with holes Ø130x5mm 35  
Wire mesh Ø4 mesh c/c 50mm welded black steel 1500x3000 26  
Worktop 1200x650x18 w/ABS edge light gray 20  
Worktop 3000x1200x18 w/ABS edge light gray 39

## **Ø**

Ø60x2 Precision welded steel pipe 19